

## StrainBox XS

### DATA SHEET



The **StrainBox XS** makes it possible to transport critical and defective lithium-ion batteries in an ADR-compliant manner and to store them safely. The size and construction have been specially designed for the storage and transport of battery modules, such as those installed in hybrid vehicles.

All boxes in the **StrainBox** series have an integrated filter system that filters out toxic gases to a large extent. Dust and particles that are harmful to health are retained and the escape of solids, liquids and flames is prevented.

Due to the integrated thermal management, there is no critical temperature increase of the outer walls. If the batteries inside should have an accident, contamination in the area surrounding the box is prevented.

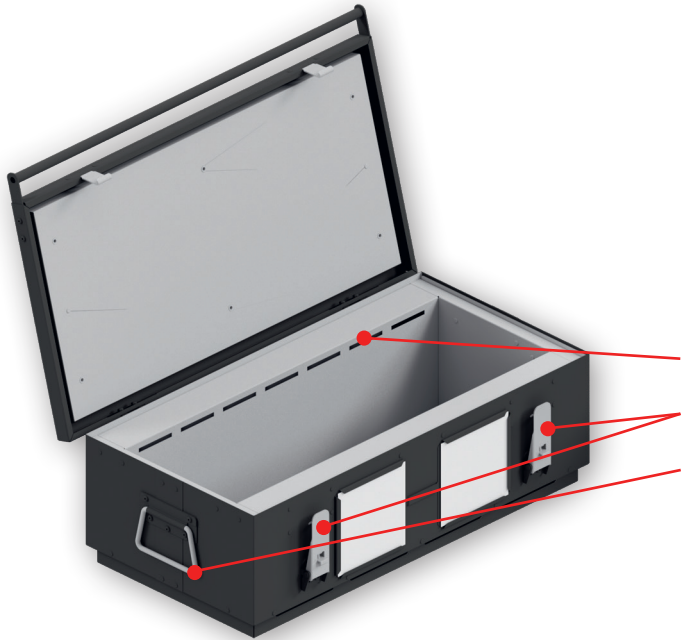
For the protection of persons and property, the **StrainBox XS** also has the typical safety features that are only offered by the products of Stöbich Active Safety GmbH. These include the filter system, the mechanically resistant design and the integrated thermal management.

### Main features

- Storage and ADR-compliant transport of critical / defective lithium-ion batteries
- Protection of persons and material goods
- Flameproof construction
- Integrated gas filter system
- No leakage of sparks, flames, liquids and solids
- Absorption and dissipation of thermal energy
- No dusting fillers

### Options

- RAL color possible on request
- Padding material to absorb electrolytes for ADR-compliant transport
- Cable bushing



## Technical data

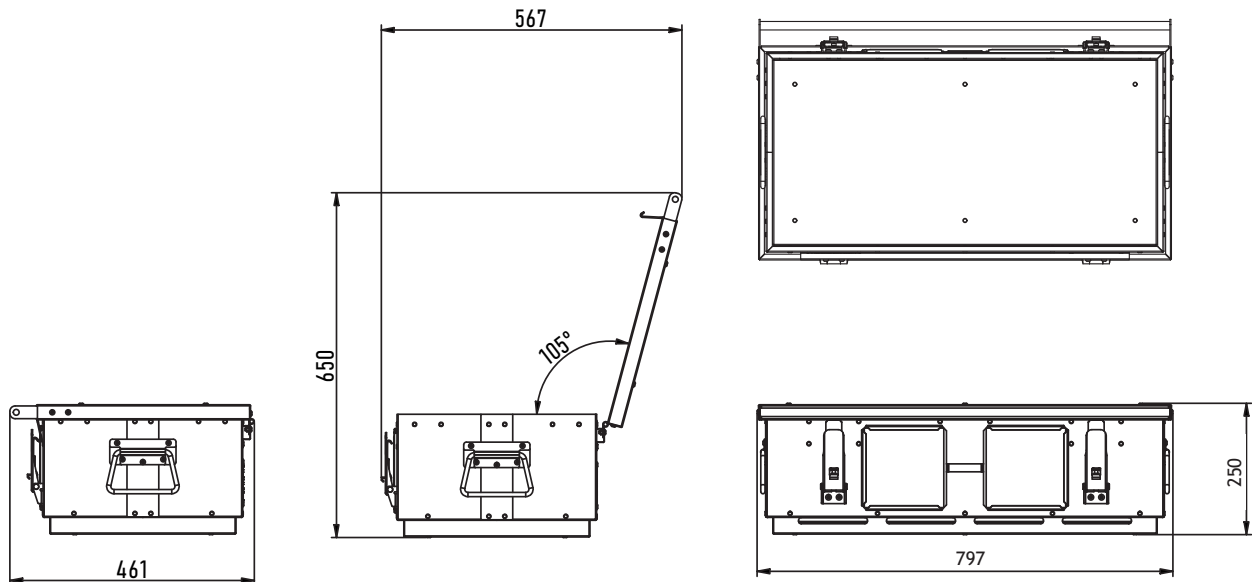
Outer dimensions	L x B x H · 797 x 461 x 250 mm
Inner dimensions	L x B x H · 700 x 250 x 200 mm
Permissible energy content	3,5 kWh (max)
Usefull volume	35 litres
Unladen weight	38 kg
Approval	ADR compliant*

\*Approved for round cells, depending on cell geometry and cell chemistry

## Gas filter system

## Interlocking system

## Transport handles



Other dimensions available on request.