

## Low-pressure water mist system

### DATA SHEET



The low-pressure water mist system (NDWN) is an environmentally friendly alternative to many traditional extinguishing methods. It can be used in lots of different areas. Thanks to its low consumption of water and electricity, it is extremely efficient. The water mist is created by pressure and special nozzles. It fights fires especially well and quickly through its high cooling power and the oxygen displacement effect.

The compact design allows the low-pressure water mist system to be installed even in areas where space is at a premium, such as test rigs and transformer stations. Little operating and maintenance effort is required, so the system is cost-effective to operate.

At the request of the customer, this system can be provided as a system solution in combination with an early fire detection unit.

#### Main features

- Integrated central fire alarm system (CFAS) with fire-fighting control
- Operation possible for 2 separate fire-fighting areas
- High cooling power and oxygen displacement thanks to really fine water mist
- Reduced consumption of extinguishing water
- Reduced amount of contaminated extinguishing water
- Low energy consumption
- Can be combined with a water conditioning and recirculation system
- Possibility of emergency power supply and storage using accumulator



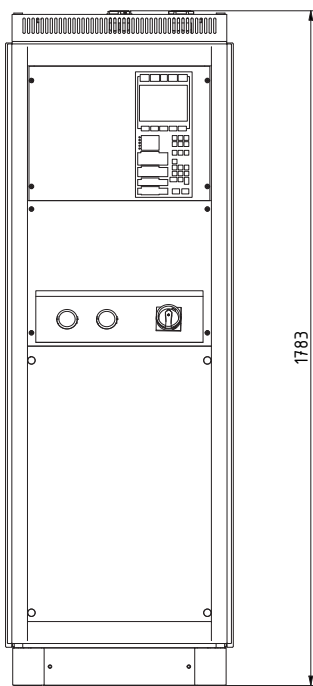
## Technical data

Dimensions	L x W x H · 834 x 602 x 1,783 mm
Supply rate	1,8 to 9 m³/h
Max. operating pressure	25 bar
Fire-fighting areas	2 (1 standard, 1 optional)
Output	2,5 to 7,5 kW
Voltage	400 V / 50 Hz
Weight	200 kg
Number of LOOPs (CFAS)	1 (240 nodes)
Relay outputs (CFAS)	3 (1 reserved for fault mode)
Approvals	CE · VdS (CFAS) · EN-54 (CFAS) · FM (nozzles)

Zone selection valves for up to 2 areas

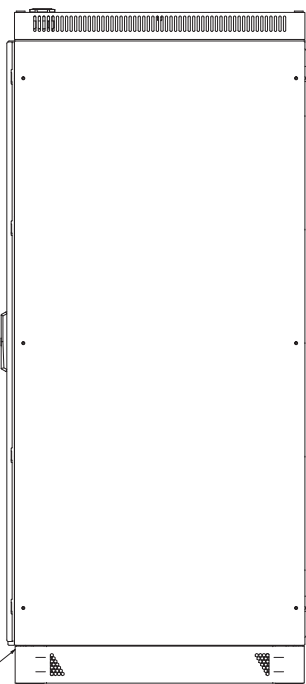
Integrated central fire alarm system with fire-fighting control

Maintenance-free low pressure pump



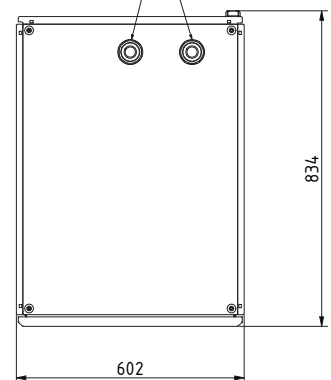
1783

Input R 1 1/4"



Top view

Output  
2 x R 1"



602

834