

SYSTEM: GCC



Product description

Single-leaf, vertically and horizontally closing fire protection closure for wall openings of web-bound conveyor systems; separated and unseparated conveyor technology in the closing area.

Type	Fire protection closure in the course of rail-bound conveyor systems
Verification	ETA-16/0851 European Technical Assessment VKF Technical Information No. 32235
Closing direction	from top to bottom from left to right from right to left
Fire resistance	EI ₉₀ tested according to DIN EN 1366-7:2004 classified according to EN 13501-2:2007
Closing cycles	C5 Number of closing cycles 200,000 vertical closing direction C4 Number of closing cycles 100,000 horizontal closing direction
Reopening	motor
Conveyor system	Interrupted conveyor system Inclined conveyor system Continuous belt conveyor system Continuous transfer carriage Continuous suspension chain conveyor system Continuous roller conveyor system Continuous conveyor system
Visible surfaces	Attachment parts: - galvanised - RAL - Stainless steel V2A Material A-1.4301 (blank) Fixed panel and slider blade: - untreated - painted with emulsion paint similar to RAL 7016 - painted with emulsion paint similar to RAL - galvanised (occupied) - powder-coated (covered) RAL - Stainless steel (coated) V2A Material A-1.4301 (blank)

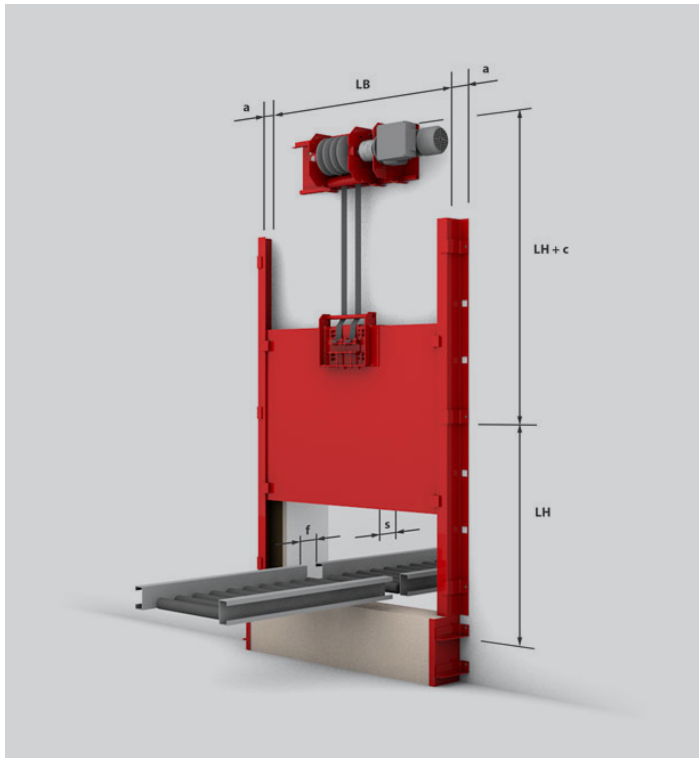
Size dimensions and system design

Due to the combination of classifications or the ratio of clear system width to clear system height, the stated maximum dimensions may be reduced and the dimensions of the enclosure and guide rails may vary. The specifications on the quotation apply.

Component (supporting structure) in which the closure may be installed	achievable Fire resistance class	clear wall opening		
		largest width LB	greatest height LH	largest surface
Solid high-density wall, masonry or solid concrete with a total density of $\geq 800 \text{ kg/m}^3$ and a thickness $\geq 150 \text{ mm}$	$EI_1, 90$ $EI_2, 90$	3.600 mm	4.200 mm	10,0 m ²
Solid low-density wall, aerated concrete with total density of $\geq 450 \text{ kg/m}^3$ and thickness $\geq 150 \text{ mm}$	$EI_1, 90$ $EI_2, 90$	3.600 mm	4.200 mm	10,0 m ²

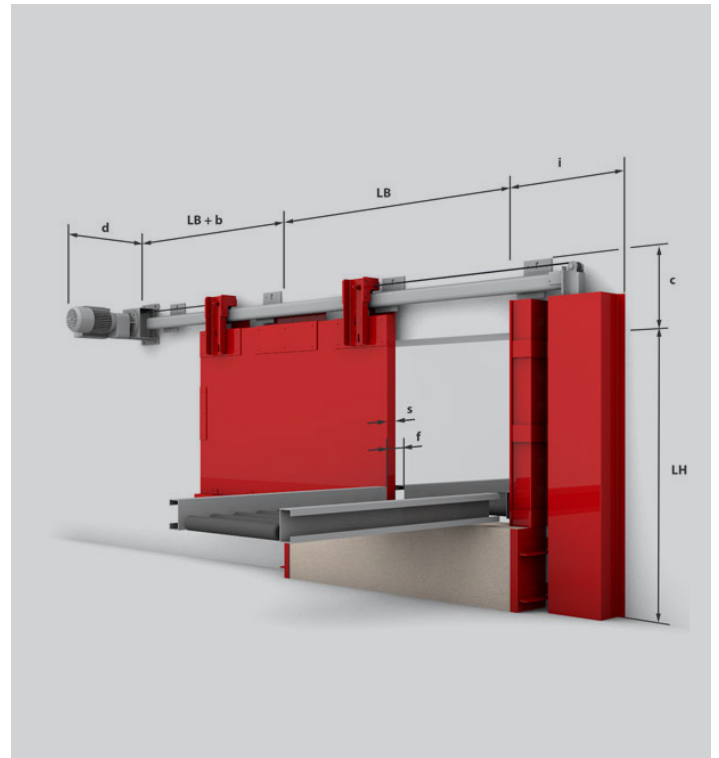
The installation situation must comply with the building code requirements of the country of installation. The fire resistance of a ceiling or wall support structure and the adjacent components must at least correspond to that of the fire protection closure. Proof of the stability and serviceability of the adjacent walls and components must be provided under general ambient conditions and in the event of fire. See also notes on the standard supporting structure in EN1366-7:2004 or EN1363-1:2020. The fire protection system must not be subjected to any additional loads other than its own weight, even in the event of fire.

Vertical system structure



$a = 155 \text{ mm}$
 $c = 570 \text{ mm}$
 $f = 70 \text{ mm}$
 $s = 51 \text{ mm}$

System structure horizontal



$b = 260 \text{ mm}$
 $c = 270 \text{ mm}$
 $d = 500 \text{ mm}$
 $f = 70 \text{ mm}$
 $i = 425 \text{ mm}$
 $s = 51 \text{ mm}$