

SYSTEM: FIBERSHIELD®

MODEL: FIBERSHIELD®-I



Product description

Heat-insulating fire protection closure with a textile design that closes automatically in the event of an alarm, vertical installation position and closing direction

Function	Heat-insulating fire protection closure with textile design
Verification	CE marking according to EN 16034:2014 in conjunction with EN 13241:2003+A2:2016
Closing direction	From top to bottom
Fire resistance	EI ₁ 30 - EI ₂ 120 Tested according to EN 1634-1:2014-03 Classified according to EN 13501-2:2016
Smoke protection	S _a : for joint length 14.5 m for EI ₁ 30 - EI ₂ 120 Tested according to EN 1634-3:2005-01 in connection with EN 1363-1:2012-10 Classified according to EN 13501-2:2016
Closing cycles	C0, C1, C2 Tested according to EN 12605:2000-08 Classified according to EN 13501-2:2016
Fire behaviour of textile	B-s1, d0; E-d2 Tested according to ISO 11925-2 and EN 13823 Classified according to EN 13501-1:2018
Environmental conditions	Special environmental conditions are not taken into account (e.g. humidity > 80 %, ambient temperature < 5 °C and > 45 °C, wind loads etc.).
Visible surfaces	galvanized RAL, smooth, silk gloss, standard colour shade NCS standard color Stainless steel type IV2A material A-1.4301 (bright) Stainless steel type II V2A material A-1.4301, K240 (ground) in each case for the visible surfaces of the housing and the guide rails

Dimensions and system design

The combination of classifications or the ratio of clear system width to clear system height may reduce the stated maximum dimensions and the dimensions of the enclosure and guide rails may vary. The specifications on the quotation apply.

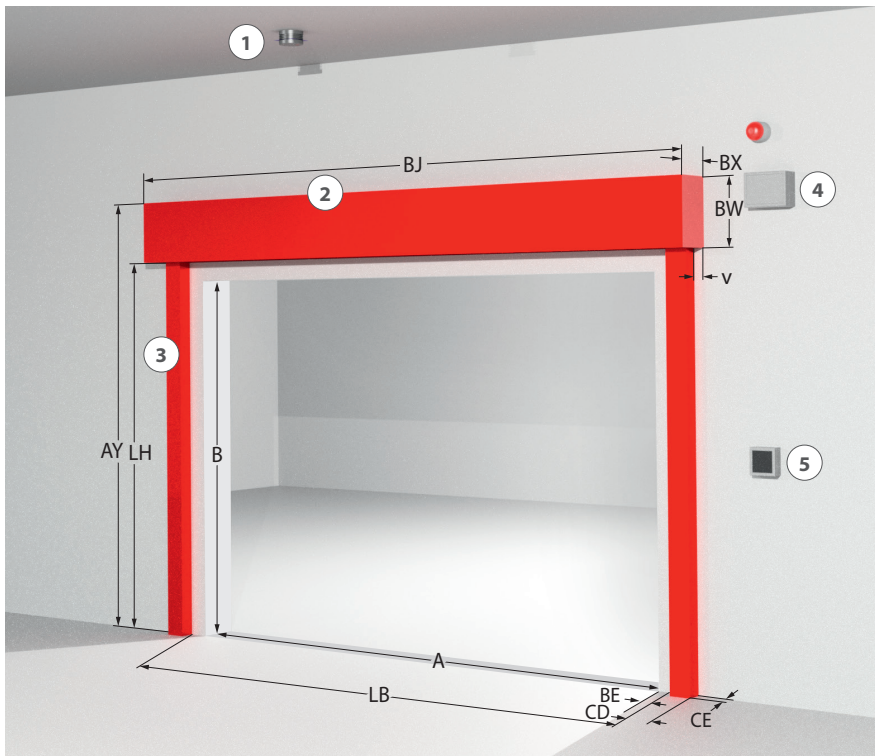
Fire resistance/ classifications	Size max.* [LB x LH] in mm	Fabric	Wall thickness** in mm	Housing	Guide rails
E ₁ 30/E ₂ 30	7315 x 3800	Stratex 3	150	Type A	Type 1 or Type 3***
E ₁ 30/E ₂ 30	7315 x 4950	Stratex 3	150	Type B	Type 1 or Type 3***
E ₁ 60	6600 x 4840	Stratex 12	150	Type B	Type 2
E ₂ 60	4400 x 3400	Stratex 6	150	Type A	Type 1 or Type 3***
E ₂ 60	4400 x 4400	Stratex 6	150	Type B	Type 1 or Type 3***
E ₂ 60	6600 x 4840	Stratex 9	150	Type B	Type 1
E ₁ 90	6000 x 4400	Stratex 12	150	Type B	Type 2
E ₂ 90	6000 x 4400	Stratex 9	150	Type B	Type 1
E ₂ 120	6600 x 4840	Stratex 12	175	Type B	Type 2
S _a	S _a = joint length must not exceed 14.5 m (normative: 3-sided without end strip)				
C	7315 x 4950	Stratex 3, E ₁ 30/E ₂ 30			
C1	4400 x 4400	Stratex 6, E ₂ 60			
	6000 x 4400	Stratex 9, E ₂ 60			
	6000 x 4400	Stratex 9, E ₂ 90			
C2	6600 x 4840	Stratex 3, E ₁ 30/E ₂ 30			
	6600 x 4400	Stratex 12, E ₁ 60/E ₂ 60			
	6600 x 4400	Stratex 12, E ₂ 90			

The installation situation must comply with the building code requirements of the country of installation. The fire resistance of a ceiling or wall support structure and the adjacent components must at least correspond to that of the fire and/or smoke protection closure/fire and/or smoke protection curtain. Proof of the stability and serviceability of the adjacent walls and components must be provided under general ambient conditions and in the event of fire. See also notes on the standard supporting structure in EN1366-7:2004 or EN1363-1:2020. The fire protection system must not be subjected to any additional loads other than its own weight, even in the event of fire.

* Deviations from size dimensions on request

** tested wall types according to the installation instructions

*** Guide rails type 3 maximum size 3000 x 2870 mm and no permanent function C1 & C2



Legend System components:

- 1 = Smoke detector
- 2 = Housing
- 3 = Guide rail
- 4 = Control module
- 5 = Trigger device (see the valid general type approval of the brake system for design details of the electrical components.)

Legend Dimensioning:

Structure

- B = Clear shell construction height
- A = Clear shell construction width

System

- AY = System height
- LH = Clear system height
- LB = Clear system width
- BJ = System width

Housing

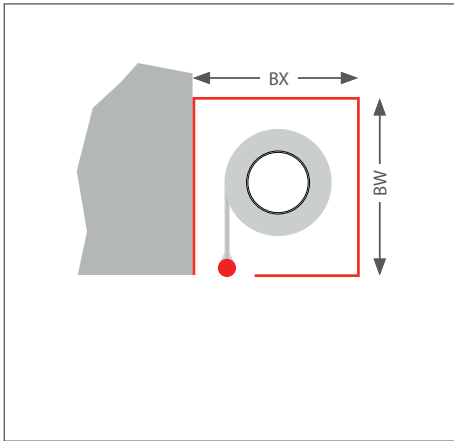
- BX = Depth
- BW = Height
- v = Offset between housing and guide rail

Guide rail

- CD = Width
- CE = Depth
- BD = Offset left
- BE = Offset right

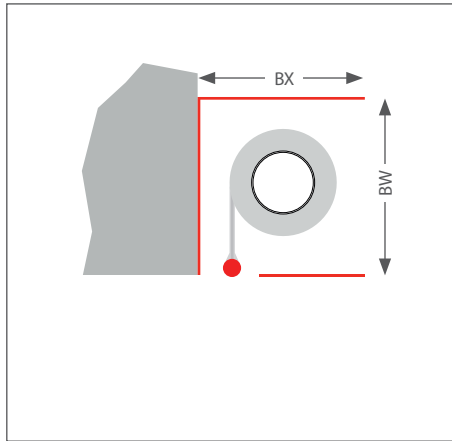
Housing

Wall with housing cover



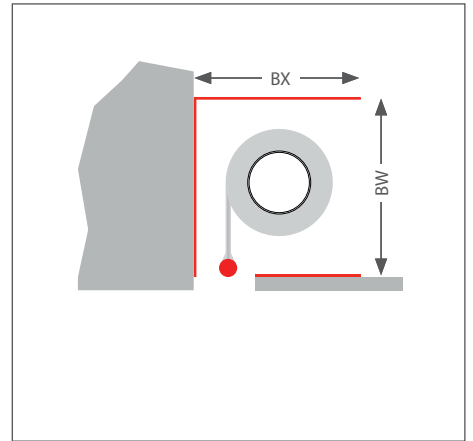
Type A: BX = 380 mm, BW = 350 mm
Type B: BX = 460 mm, BW = 430 mm

Wall without housing cover



Type A: BX = 380 mm, BW = 350 mm
Type B: BX = 460 mm, BW = 430 mm

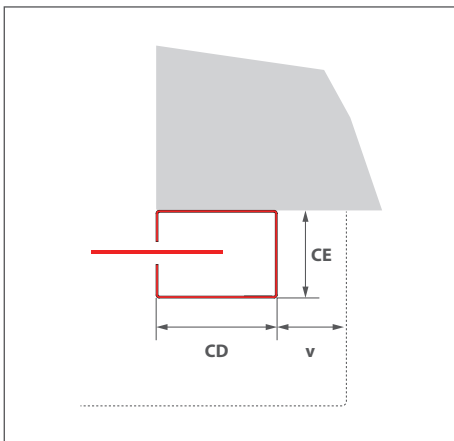
Wall without housing cover, with false ceiling



Type A: BX = 380 mm, BW = 350 mm
Type B: BX = 460 mm, BW = 430 mm

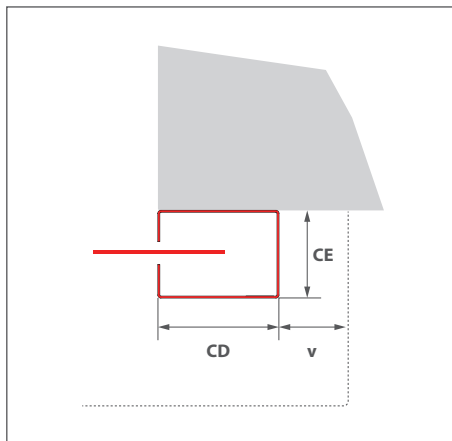
Guide rails

Type 1 (Wall mounting)



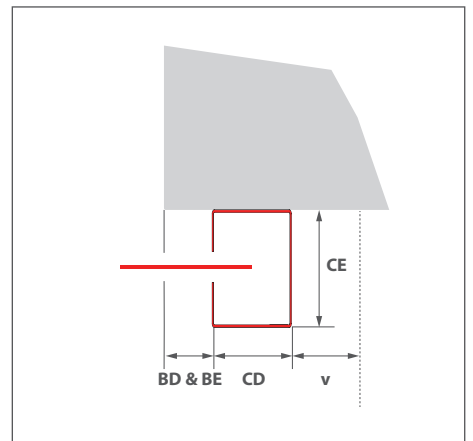
CD = 200 mm
CE = 82 mm
v = 47 mm

Type 2 (Wall mounting)



CD = 230 mm
CE = 110 mm
v = 42 mm

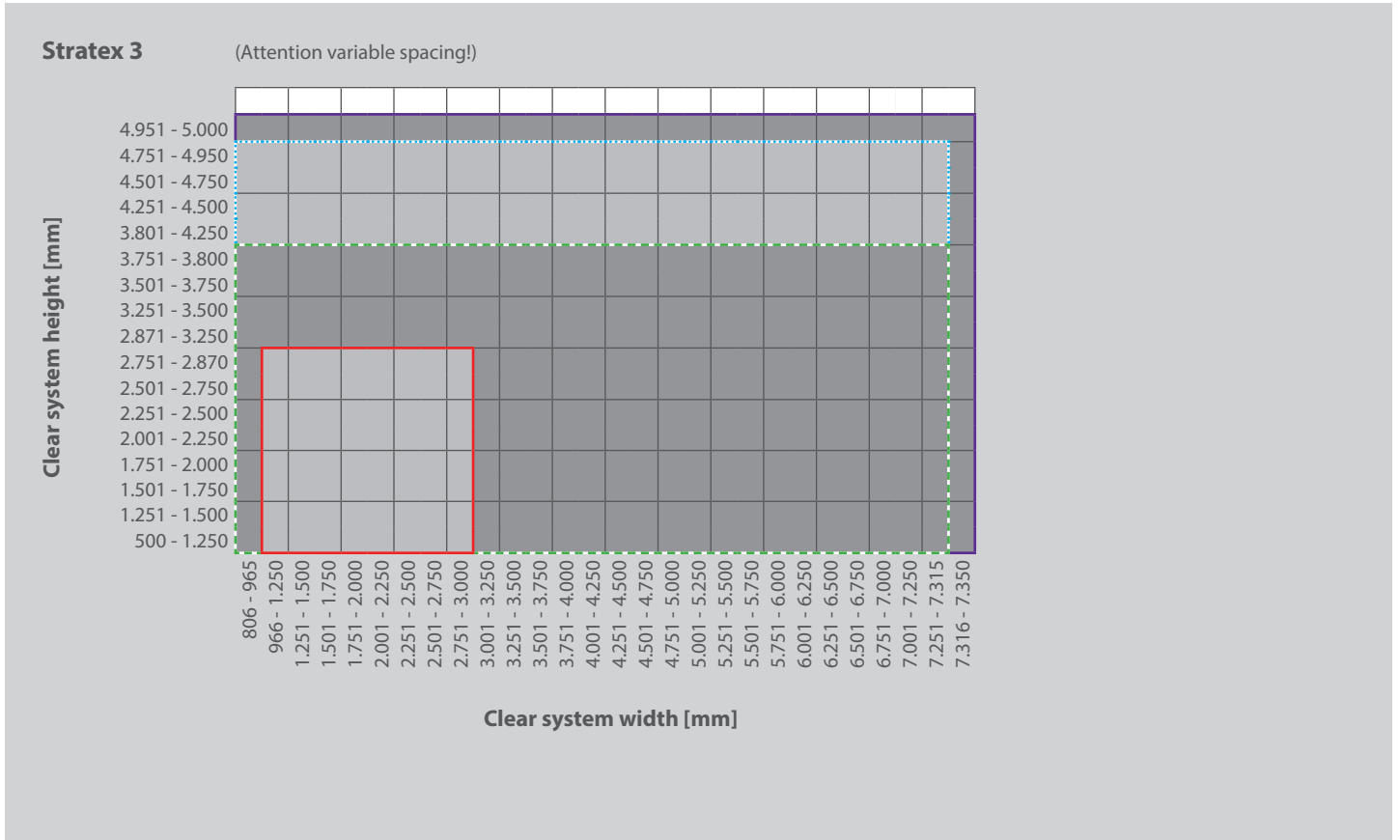
Type 3 (Wall mounting)



CD = 90 mm
CE = 120 mm
v = 77 mm
BD & BE = 0 mm for EI₁ 30, EI₂ 30
BD & BE = 60 mm for EI₂ 60

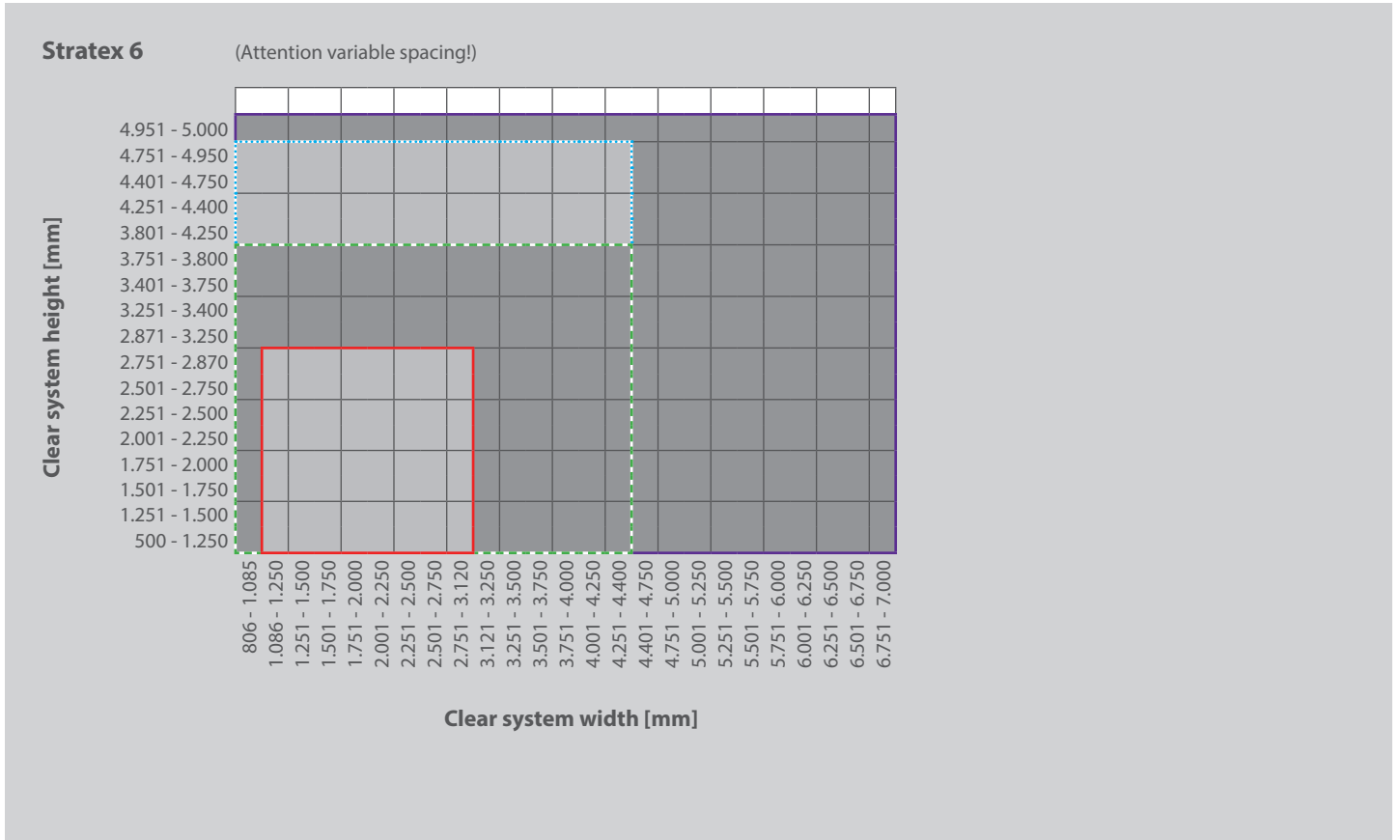
Note: Dotted line for the winding shaft receptacle (housing)

Housing overview



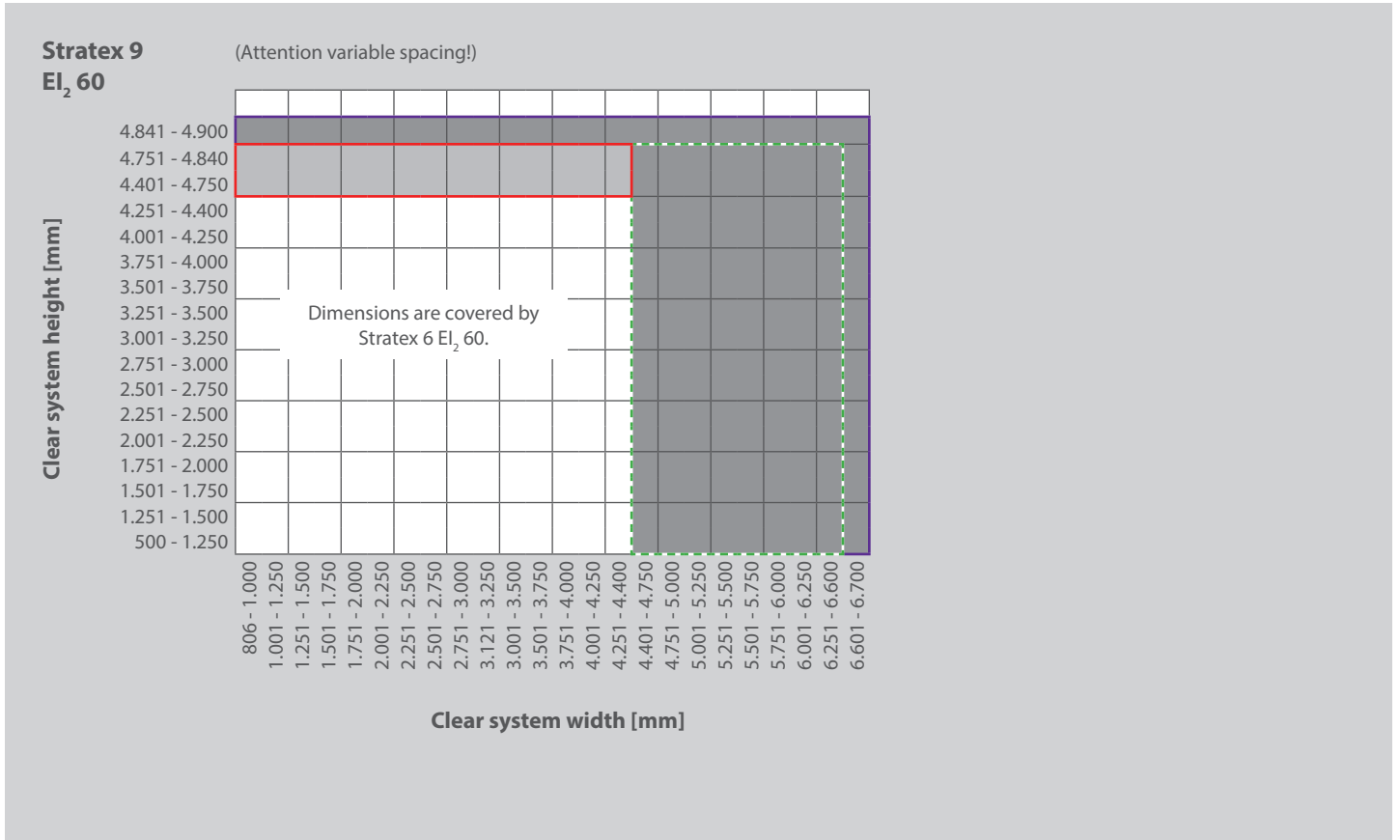
Versions	Housing depth	Housing height	Mounting type Housing/guide rail
EI ₁ 30: Type A + Type 3	380 mm	350 mm	Wall/wall
EI ₁ 30: Type A + Type 1	380 mm	350 mm	Wall/wall
EI ₁ 30: Type B + Type 1	460 mm	430 mm	Wall/wall
TM without CE			Wall/wall

Housing overview



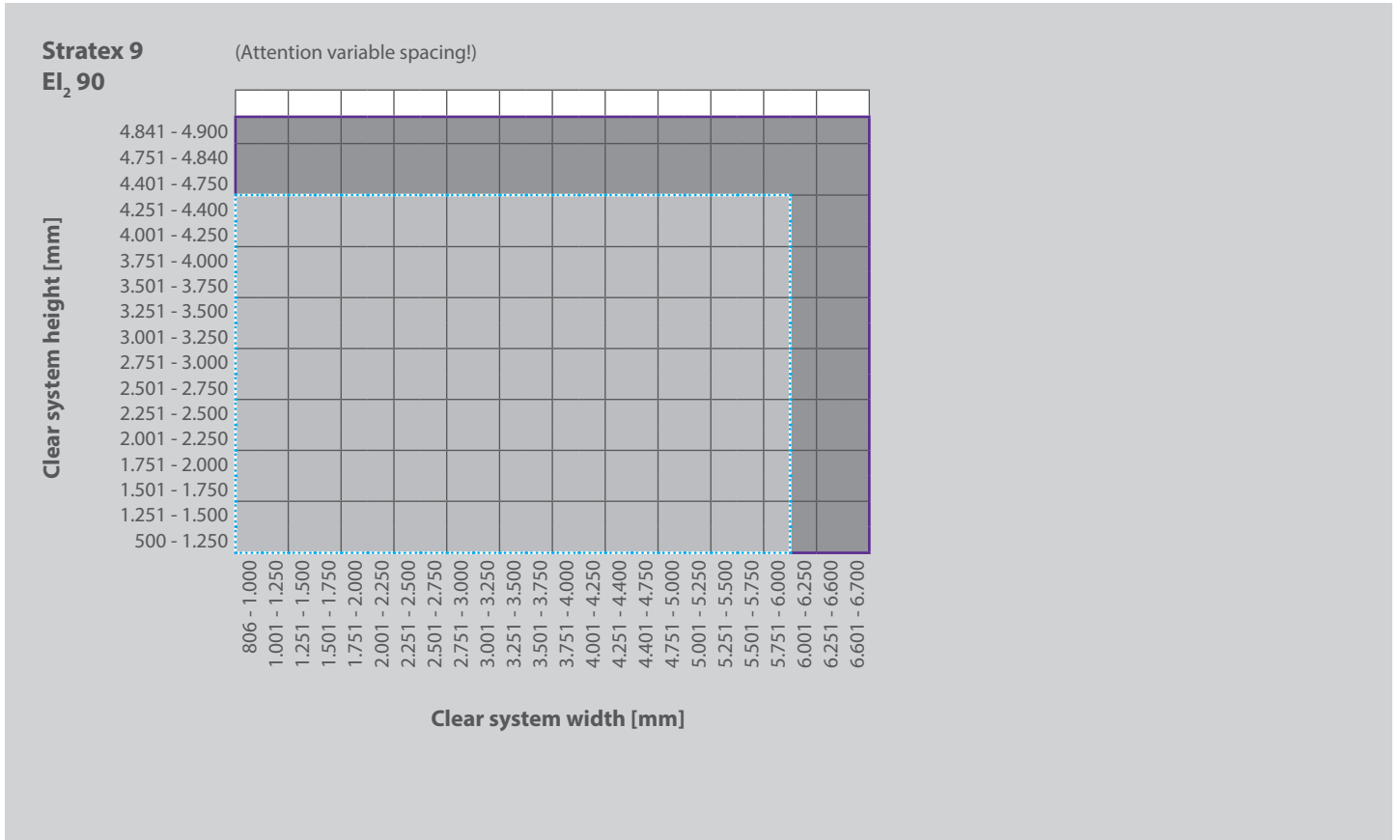
Versions	Housing depth	Housing height	Mounting type Housing/guide rail
EI ₂ 60: Type A + Type 3	380 mm	350 mm	Wall/wall
EI ₂ 60: Type A + Type 1	380 mm	350 mm	Wall/wall
EI ₂ 60: Type B + Type 1	460 mm	430 mm	Wall/wall
TM without CE			Wall/wall

Housing overview



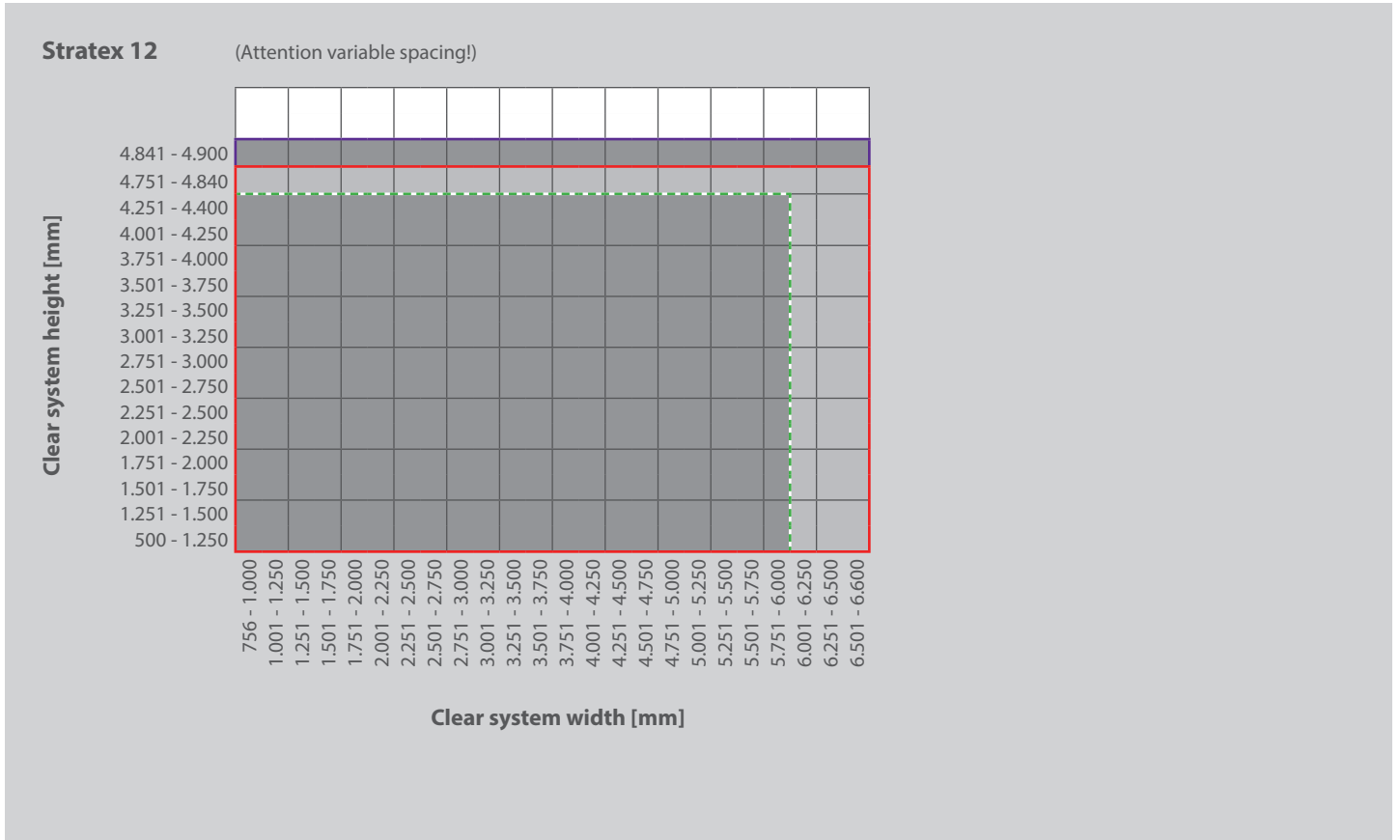
Versions	Housing depth	Housing height	Mounting type Housing/guide rail
El ₂ 60: Typ A + Typ 3	380 mm	350 mm	Wall/wall
El ₂ 60: Typ A + Typ 1	380 mm	350 mm	Wall/wall
El ₂ 60: Typ B + Typ 1	460 mm	430 mm	Wall/wall
TM ohne CE			Wall/wall

Housing overview



Versions	Housing depth	Housing height	Mounting type Housing/guide rail
El ₂ 60: Type B + Type 1	460 mm	430 mm	Wall/wall
El ₂ 60: Type B + Type 1	460 mm	430 mm	Wall/wall
El ₂ 90: Type B + Type 1	460 mm	430 mm	Wall/wall
TM without CE: Type B + Type 1	460 mm	430 mm	Wall/wall

Housing overview



Versions	Housing depth	Housing height	Mounting type Housing/guide rail
El ₁ 60: Type B + Type 2	460 mm	430 mm	Wall/wall
El ₁ 90: Type B + Type 2	460 mm	430 mm	Wall/wall
El ₂ 120: Type B + Type 2	460 mm	430 mm	Wall/wall
TM without CE: Type B + Type 2	460 mm	430 mm	Wall/wall