

## SYSTEM: FIBERSHIELD®

SERIES: FIBERSHIELD®-I



## Product description

Heat-insulating fire protection closure with a textile design that closes automatically in the event of an alarm, vertical installation position and closing direction

<b>Design</b>	Heat-insulating fire protection closure with textile design
<b>Certification</b>	CE marking according to EN 16034:2014 in conjunction with EN 13241:2003+A2:2016
<b>Closing direction</b>	From top to bottom
<b>Fire resistance</b>	EI <sub>1</sub> 30 - EI <sub>2</sub> 120   Tested according to EN 1634-1:2014-03   Classified according to EN 13501-2:2016
<b>Smoke protection</b>	S <sub>0</sub>   Tested according to EN 1634-3:2005-01 in conjunction with EN 1363-1:2012-10   Classified according to EN 13501-2:2016
<b>Closing cycles</b>	C, C1, C2   Tested according to EN 12605:2000-08   Classified according to EN 13501-2:2016
<b>Fire behaviour of textile</b>	B-s1, d0; E-d2   Tested according to ISO 11925-2 and EN 13823   Classified according to EN 13501-1:2018
<b>Environmental conditions</b>	Special environmental conditions are not taken into account (e.g. humidity > 80 %, ambient temperature < 5 °C and > 45 °C, wind loads etc.).
<b>Visible surfaces of enclosure, guide rails and end strip</b>	Galvanised, coated in RAL, NCS standard colour, stainless steel V2A material A-1.3401   Type I bright, Type II K240 ground

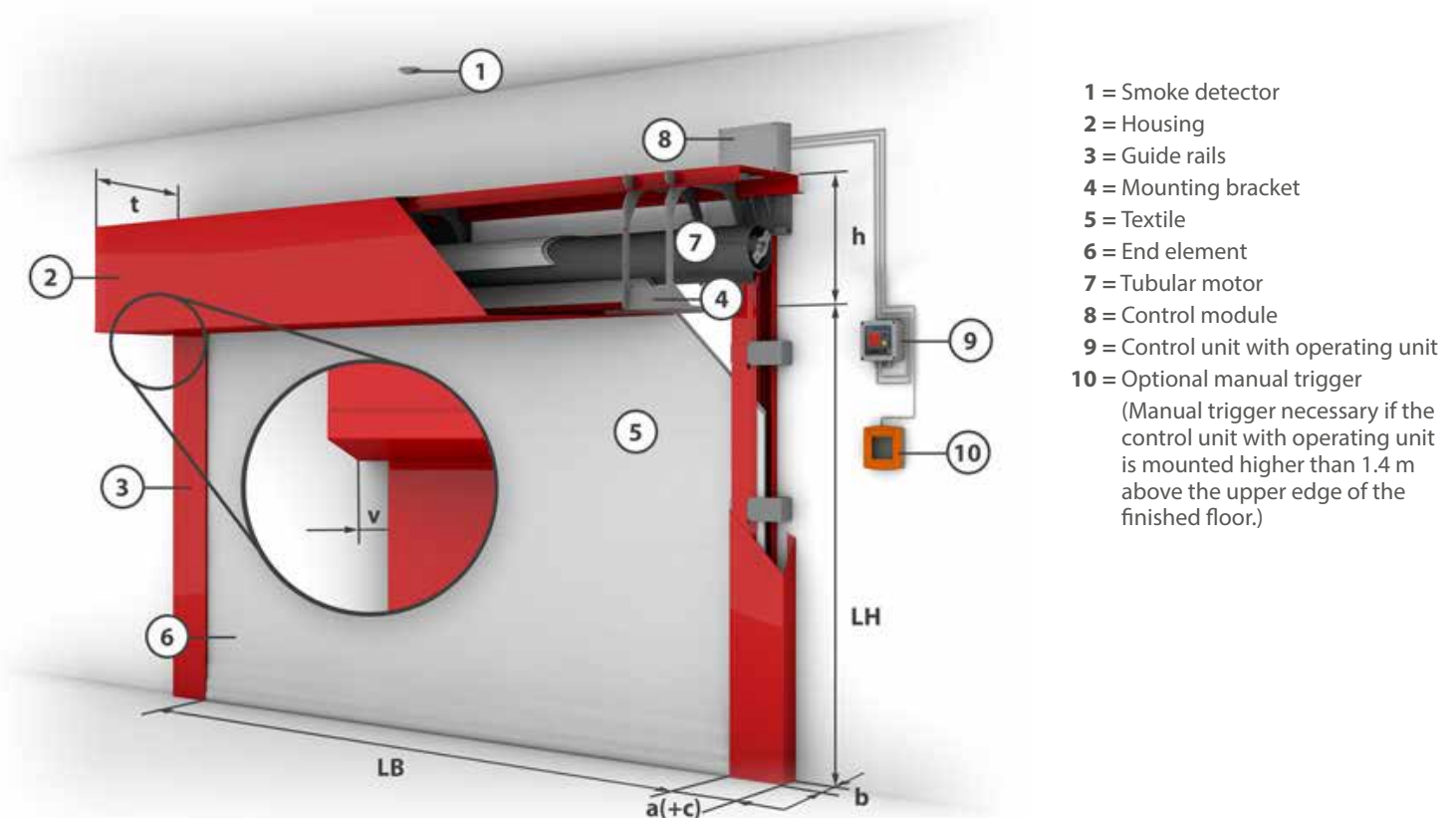
## Constructive system design (system drawing)

The combination of classifications can reduce the maximum dimensions mentioned. The specifications on the offer apply.

Classification	Size max. [LB x LH] in mm	Wall thickness* in mm	Housing	Guide rail [a(+c) x b]
EI <sub>1</sub> 30	7315 x 4950	150	Type A or Type B	Type 1 or Type 3**
EI <sub>2</sub> 30	7315 x 4950	150	Type A or Type B	Type 1 or Type 3**
EI <sub>1</sub> 60	6600 x 4840	150	Type B	Type 2
EI <sub>2</sub> 60	6600 x 4840	150	Type A or Type B	Type 1 or Type 3**
EI <sub>1</sub> 90	6000 x 4400	150	Type B	Type 2
EI <sub>2</sub> 90	6000 x 4400	150	Type B	Type 1
EI <sub>2</sub> 120	6600 x 4840	175	Type B	Type 2
C2	6600 x 4840			
S <sub>a</sub>	Joint length 14.5 m (3-sided without end strip)			

\* The wall can be low density (aerated concrete block) or high density (masonry or concrete).

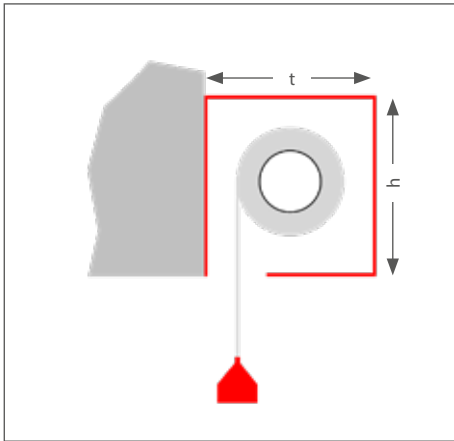
\*\* Type 3 guide rails – maximum size 3000 x 2870 mm



- 1 = Smoke detector
- 2 = Housing
- 3 = Guide rails
- 4 = Mounting bracket
- 5 = Textile
- 6 = End element
- 7 = Tubular motor
- 8 = Control module
- 9 = Control unit with operating unit
- 10 = Optional manual trigger  
(Manual trigger necessary if the control unit with operating unit is mounted higher than 1.4 m above the upper edge of the finished floor.)

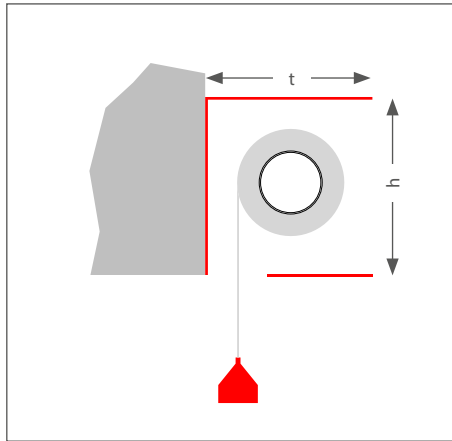
## Housing

Wall with housing cover



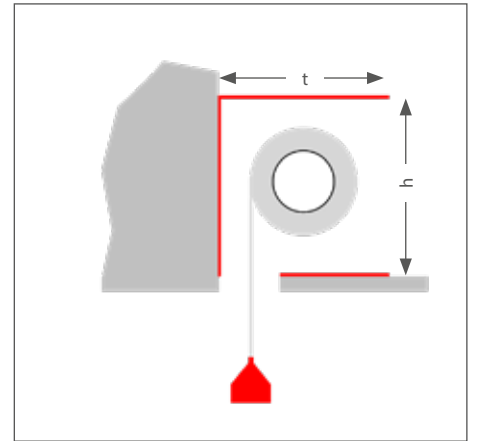
Type A:  $t = 380 \text{ mm}$ ,  $h = 350 \text{ mm}$   
Type B:  $t = 460 \text{ mm}$ ,  $h = 430 \text{ mm}$

Wall without housing cover



Type A:  $t = 380 \text{ mm}$ ,  $h = 350 \text{ mm}$   
Type B:  $t = 460 \text{ mm}$ ,  $h = 430 \text{ mm}$

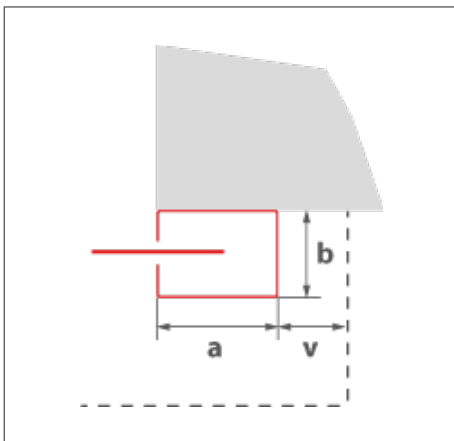
Wall without housing cover, with false ceiling



Type A:  $t = 380 \text{ mm}$ ,  $h = 350 \text{ mm}$   
Type B:  $t = 460 \text{ mm}$ ,  $h = 430 \text{ mm}$

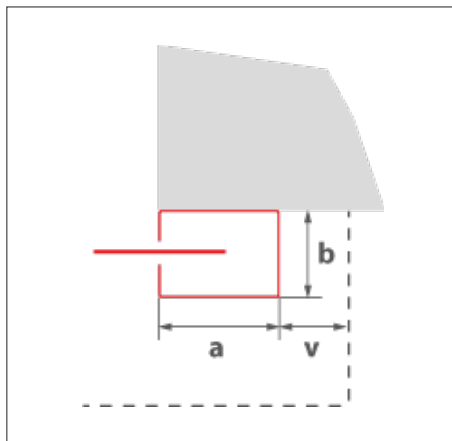
## Guide rails

Type 1



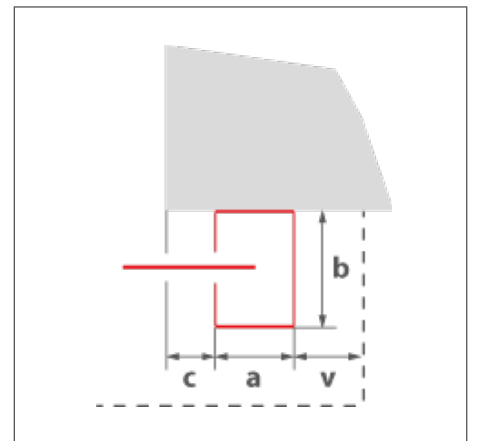
$a = 200 \text{ mm}$ ,  $b = 82 \text{ mm}$ ,  $v = 47 \text{ mm}$

Type 2



$a = 230 \text{ mm}$ ,  $b = 110 \text{ mm}$ ,  $v = 42 \text{ mm}$

Type 3



$a = 90 \text{ mm}$ ,  $b = 120 \text{ mm}$ ,  $v = 60 \text{ mm}$ ,  
 $c = 0 \text{ mm}$  for EI<sub>1</sub> 30, EI<sub>2</sub> 30,  
 $c = 60 \text{ mm}$  for EI<sub>2</sub> 60

Note: Dotted line for the winding shaft receptacle (housing)